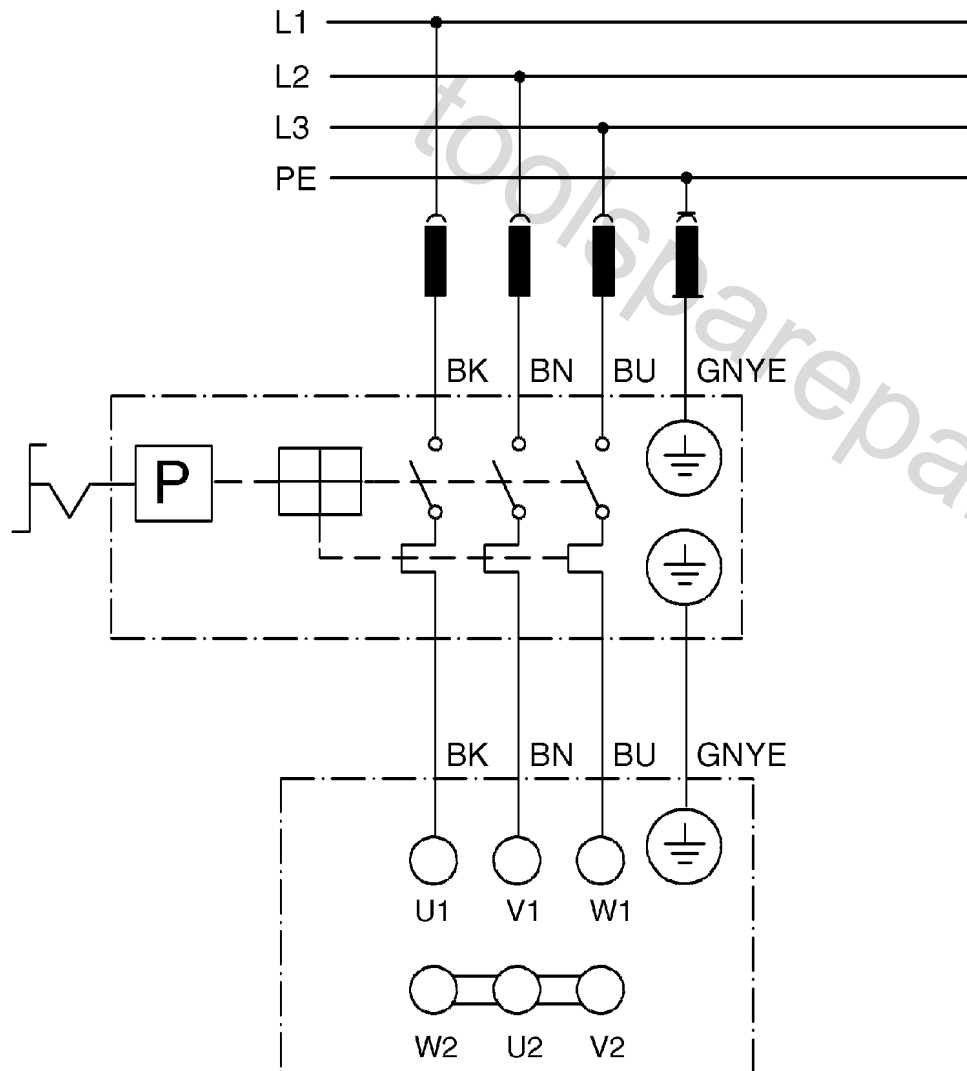


Position	Amount	Type number	Description	PG
1	14	141150050	Washer	10
2	2	6103005270	HEXAGON HEAD SCREW M 10X20 VERZ.	10
3	1	7871026968	REDUCER NIPPL 1"X1/2" NR.241 / VERZ.	16
4	8	6202002313	HEXAGON NUT, PREV. TORQUE TYPE	10
5	1	7871675990	THREADED PLUG 1" NR.596 / VERZ.	20
6	1	7830029286	DRAIN VALVE R 1/2"	31
7	2	7271663832	SWIVEL PLATE CASTER RD 75X25 M.FESTSTELL	28
8	2	6127609460	HEXAGON SOCKET HEAD CAP SCREW M 10X25 VE	10
9	2	6202024139	HEXAGON NUT, PREV. TORQUE TYPE	10
10	2	6305002508	WASHER B 13 VERZ.	10
11	2	7270663812	WHEEL, PNEUMATIC TYRE RD 300/100	39
12	2	6300016705	Washer	10
13	2	6103001275	HEXAGON HEAD SCRE M 12X100 VERZ.	13
14	1	8402415682	CABLE, RUBBER JACKET,WITH PLUG A=CEE16A	37
15	2	1341630874	HANDLE	20
16	6	6172039616	CROSS REC'D PAN HEAD TAP.SCREW ST 3,5X19	10
17	1	1317677835	HANDLE TUBE RDA 20X1,5X1231 GEBOGEN	40
18	1	1001678430	HOSE COIL ASSEMBLY ET	54
19	1	7802009105	Quick COUPLER, SLEEVE R 1/2" AG	
20	1	7871026968	REDUCER NIPPL 1"X1/2" NR.241 / VERZ.	16
21	4	6103001259	HEXAGON HEAD SCREW M 10X40 VERZ.	10
22	1	7853663993	STEEL MESH HOSE NW13X500/16BAR M26X1,5 /	40
23	1	1001676705	CHECK VALVE, ELBOW TYPE R 1/2"X RD 18 M.	36
24	1	1341645472	HOSE CLAMP	10
30	2	6172001830	Fillister head screw	10
31	2	6265167657	TIN NUT	12
32	2	1341634594	BEARING BLOCK	13
33	1	7872675854	ELBOW TAP CONNECTOR R 1/4"A X 10MM M.O-R	25
34	1	1341634608	CRANK	13
40	1	7872675854	ELBOW TAP CONNECTOR R 1/4"A X 10MM M.O-R	25
41	1	8101190820	AUTOM.PRESS.CONTR.SWITCH ASS'Y MDR 3/11	55
42	1	8401664077	CABLE, RUBBER JACKET, W/O PLUG A=70 GE/G	18
43	1	7834664121	RELIEF VALVE EV3 S	26
44	2	7851190842	PLASTIC HOSE BLACK RD 6X1X1000 SCHWARZ	17
45	1	7230663925	V-BELT SPA 1432	30
46	4	6127056666	HEXAGON SOCKET HEAD CAP SCREW M 10X35 VE	12
47	1	8013663891	ELECTRIC MOTOR 3,00 DN 400/3/50 B3 /M.K	66
48	4	6209675984	FLANGE NUT M 10 VERZ./VERZAHNUNGSAUF	10
49	2	6202002291	HEXAGON NUT, PREV. TORQUE TYPE	10
50	2	141151940	Washer	10
51	2	7872722836	TUBE FITTING 1/8"X RD 6 GERADE-STECKBAR	18

52	2	6209110995	Flange nut	10
53	1	7851675935	PLASTIC HOSE RD 6X2X100000 DRUCK./HITZEB	25
54	12	6172722847	CROSS REC'D PAN HEAD TAP.SCREW ST 4,2X13	11
55	1	1001729019	REPAIR KIT ENCLOSURE	55
56	1	1312722379	PROTECTIVE GRATING, REAR BL 1,50X431,5X6	48
57	2	6103001127	Hex head screw	10
58	1	7820675821	FILTER PRESSURE REGULATOR ASS' FR 1/4"/0	52
59	1	7833009618	SAFETY VALVE R 1/4" 11 BAR	33
60	1	7872663090	ELBOW TAP CONNECTOR 1/4"A X 6MM M.O-RING	23
61	1	7871664190	TUBE FITTING 1/2"X 1/2"A LÖSBAR	25
62	1	7812052440	PIPE NIPPL 1/2"X150 VERZINKT	19
63	1	1312722492	CONNECTING PLATE BL 1,50X25,5X68,5 MEGA	19
64	1	7243676678	LOCKING BUSH 1610-28 / NUT 8 MM TAPER	25
65	1	7240663982	V-BELT PULLEY TBA 150-1-1610	34
66	1	6721608849	FEATHER KEY A 8X7X35 ET	10
67	2	141114860	Hexagon head screw	12
68	2	141151340	Washer	10
69	2	1001697303	INTEGRATED PRESSURE GAUGE RD 40 R1/8"1 0	31
70	1	1312722506	RETENTION PLATE BL 2,00X262X276,5 MEGA 5	32
73	1	1312713981	FAN COVER BAUGRÖßE 100/ET MEGA 600/700/7	33
74	1	1312713973	FAN WING BAUGRÖßE 100/ET MEGA 600/700/71	30
100	1	1313663856	COMPRESSOR PUMP B 4900/A M.LÜFTERRAD RD	68
101	1	7825156180	AIR FILTER ET	30
102	1	1319164193	PISTON RING RD 50X2	30
103	1	1319164207	PISTON RING RD 50X2	30
104	1	1319164215	OIL WIPING RING RD 50X4	31
105	1	1319163790	PISTON, HP RD 50 ET	49
106	1	1315163915	GUDGEON PIN RD 18X42 ET	31
107	4	6401627209	CIRCLIP FOR BORES 18X1 ET	10
108	2	1319679142	CONNECTING ROD B4900B /ET	43
109	4	1319157057	CONROD BEARING SHELL ET	28
110	1	1319157138	PACKING, INTERMEDIATE COOLER ET	22
111	1	7833626781	SAFETY VALVE R 1/4" 4,0-4,5BAR ET	25
113	1	7635157067	ROTARY SHAFT SEAL ET	23
114	1	1319678391	FLYWHEEL RD 350 ET	58
115	1	1315166400	WASHER 8,5X30X5 ET	19
116	1	6121000839	Cap screw	10
117	1	1315164709	CRANKSHAFT ET	64
118	1	1319639310	INTERMEDIATE COOLER ET	58
119	2	7100157076	DEEP GROOVE BALL BEARING 25X52X15 6205	32
120	2	1319157022	PACKING, BEARING CAP ET	14
121	1	1319156174	CYLINDER HEAD GASKET ET	30

122	1	1319156140	PACKING, VALVE PLATE ET	32
123	1	1319156166	CYLINDER GASKET ET	27
125	1	1319163804	PISTON, LP RD 95 ET	57
126	1	1319164240	OIL WIPING RIN RD 95X5	36
127	1	1319164231	PISTON RIN RD 95X2,5	31
128	1	1319164223	PISTON RIN RD 95X2,5	30
129	4	6202002305	HEXAGON NUT, PREV. TORQUE TYPE	10
130	1	1319156123	CYLINDER HEAD ET	53
131	1	1319156131	VALVE ASSEMBLY ET	58
133	1	1319161992	CYLINDER FOOT GASKET ET	25
134	1	1319155895	CRANKCASE BREATHER 3/8" ET	31
135	1	1319157049	BEARING CAP, PINION END ET	25
136	1	1319155860	OIL SIGHT GLASS 1/2" ET	22
138	1	1319164444	CRANKCASE PACKING ET	30
140	1	1319161763	PACKING, PRESSURE LINE ET	23
141	1	1313137267	AFTERCOOLER	38



	Litzenfarben	Colour of strands	Couleur des cordons
BK	schwarz	black	noir
WH	weiß	white	blanc
BU	blau	blue	bleu
YE	gelb	yellow	jaune
RD	rot	red	rouge
TR	transparent	transparent	transparent
BN	braun	brown	brun
GY	grau	grey	gris
GNYE	grün-gelb	green-yellow	vert-jaune
BKWH	schwarz-weiß	black-white	noir-blanc
GN	grün	green	vert
OG	orange	orange	orange
VT	violett	violet	violet
TQ	türkis	turquoise	turquoise

	Bedeutung der Kurzzeichen	Meaning of the symbols	Interprétation des symboles
B	Stecker	plug	fiche
C	Kondensator	condenser	condensateur
D	Funkentstördrossel	interference suppression inductance	inductance d'antiparasitage
E	Elektronik-Baustein	electronic unit	unité électronique
I	Induktionsspule	induction coil	bobine d'inductance
K	Klemme	terminal	borne
L	Licht	light	lumière
M	Motor	motor	moteur
O	Überlastschutz	overload cut-out	déclencheur de surintensité
R	Drehrichtungsumschalter	reversing switch	commutateur droite-gauche
S	Schalter	switch	interrupteur
U	Umschalter	change-over switch	commutateur
X	Elektronik-Element	electronic element	élément électronique